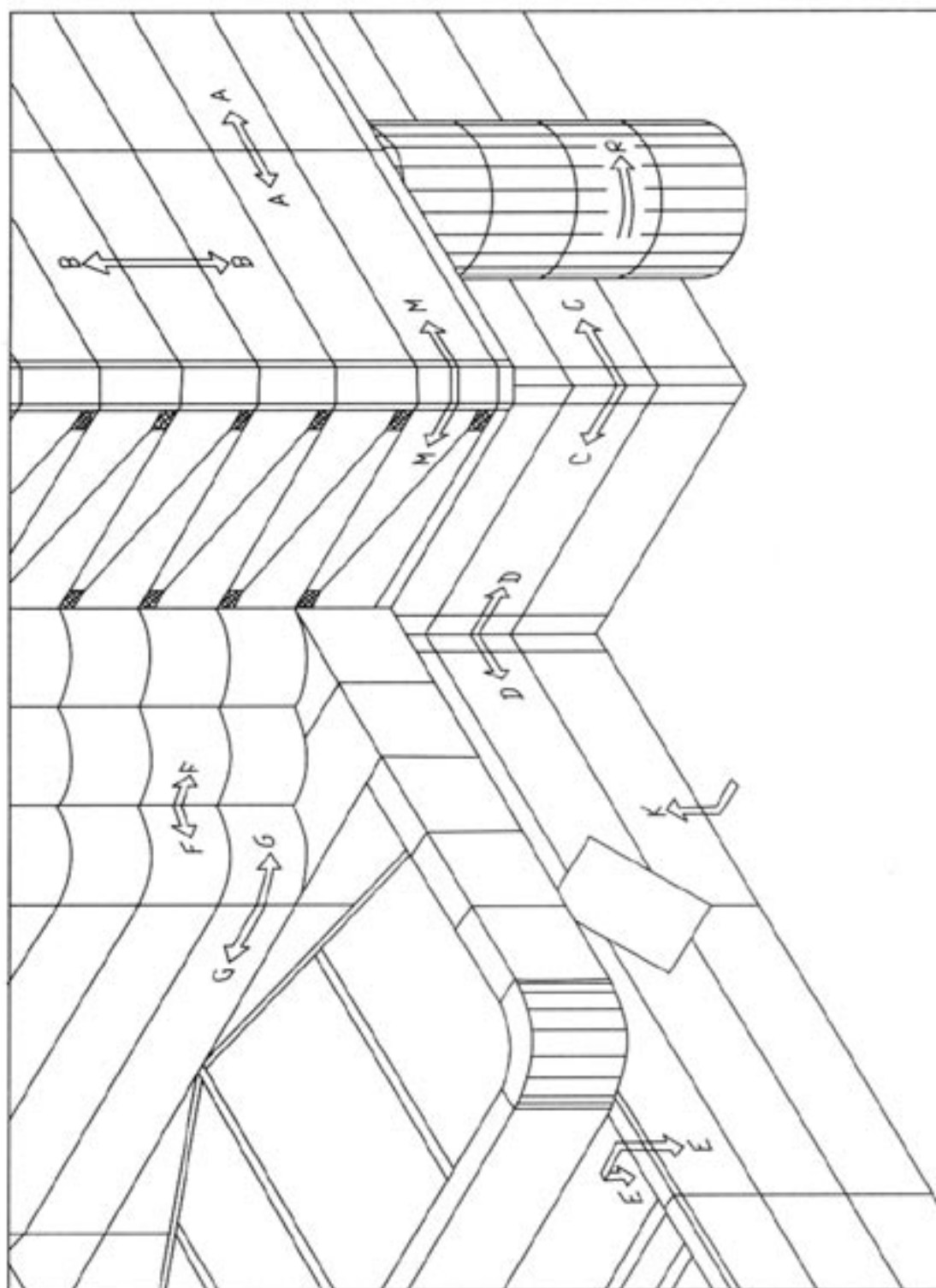


# EX

exterior panel

DETAIL SHEET NO. 1.00



SECTION REFERENCE

  
**LIKEAIR**  
architectural products

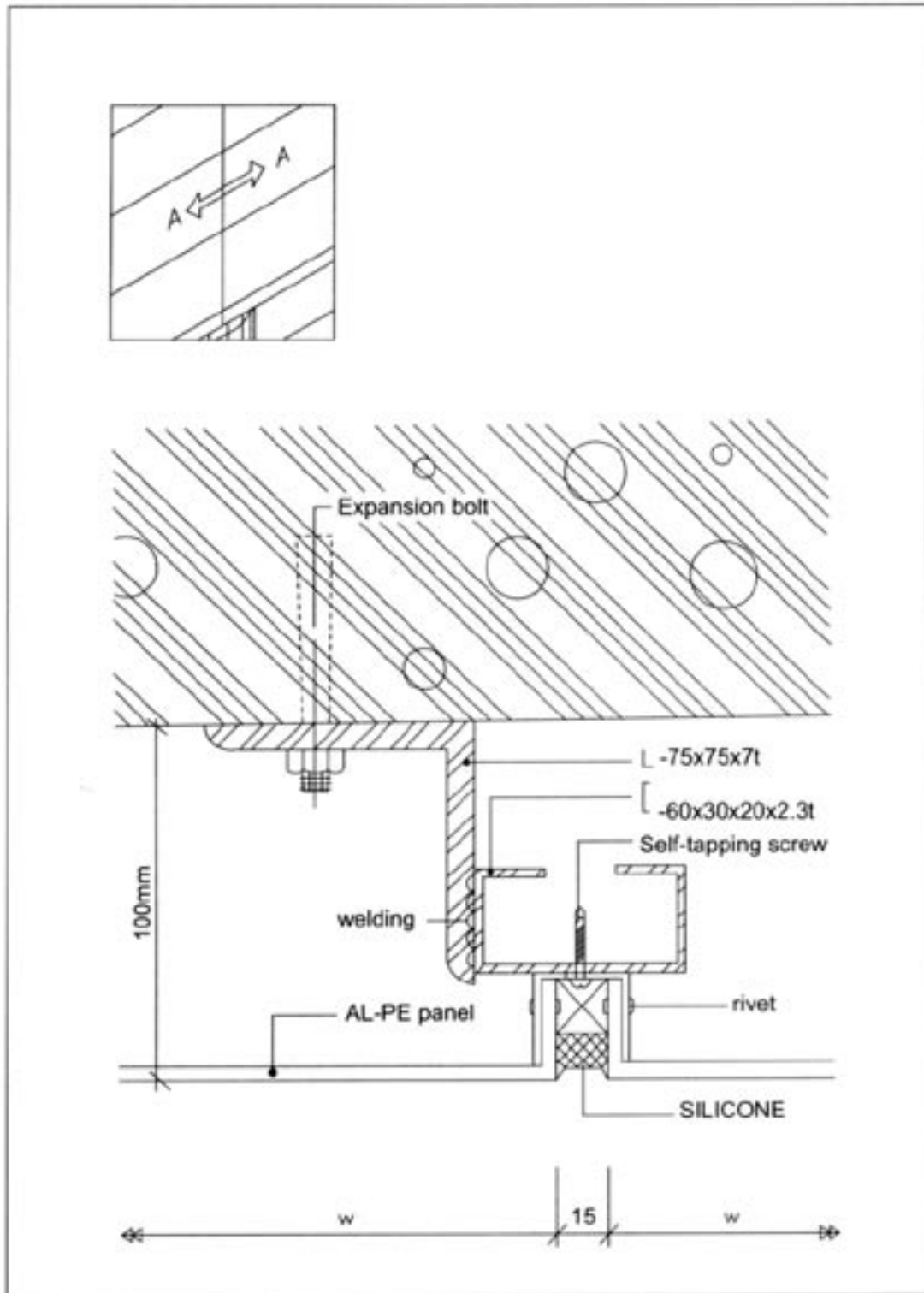
287 EDUARDES ST. RESERVOIR 3073, VICTORIA, AUSTRALIA  
TEL: +61 3 9460 9688 FAX: +61 3 9460 9622  
EMAIL: sales@likeair.com.au WEB: www.likeair.com.au

# EX

exterior panel

DETAIL SHEET NO.

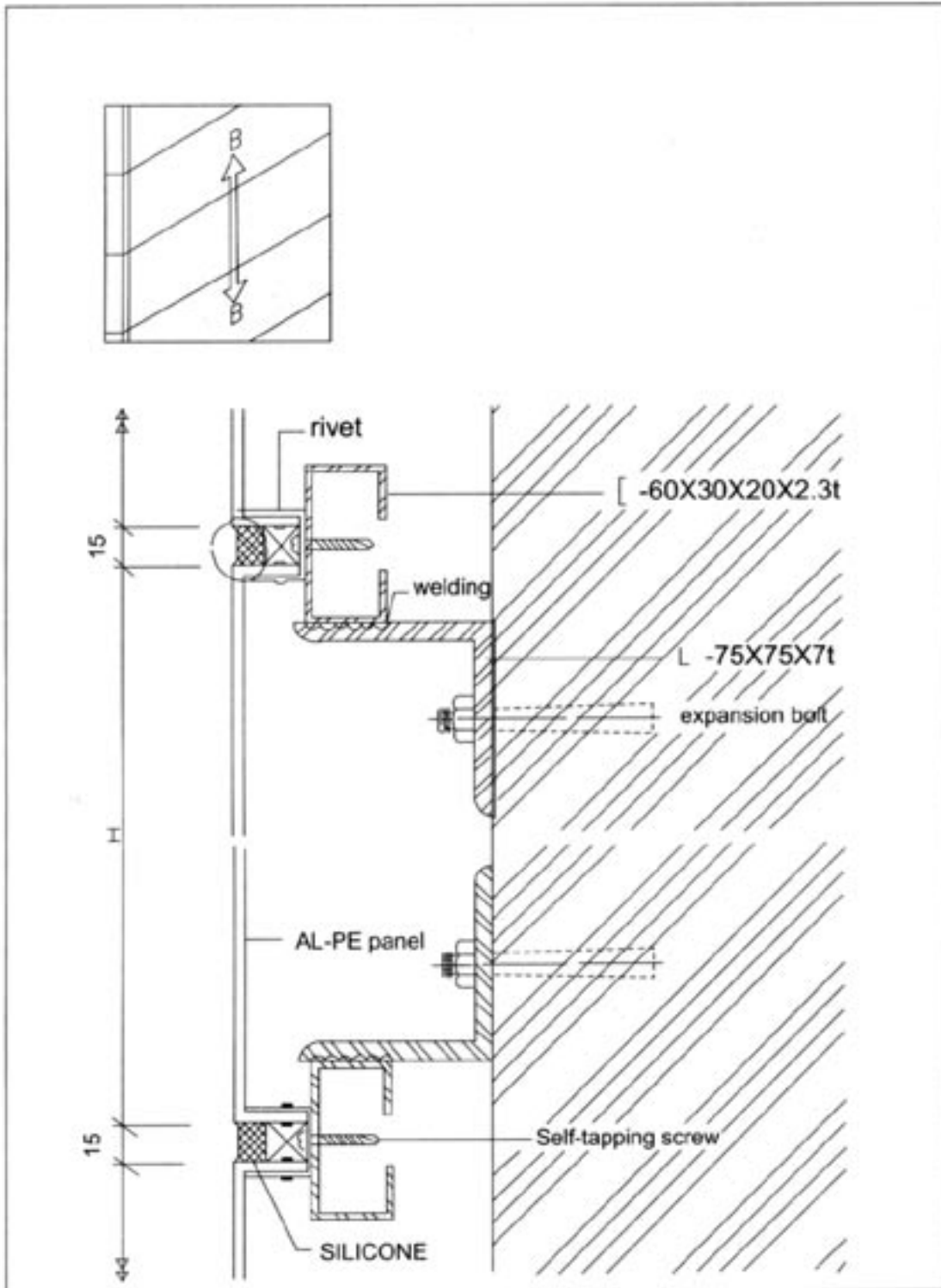
# 1.01



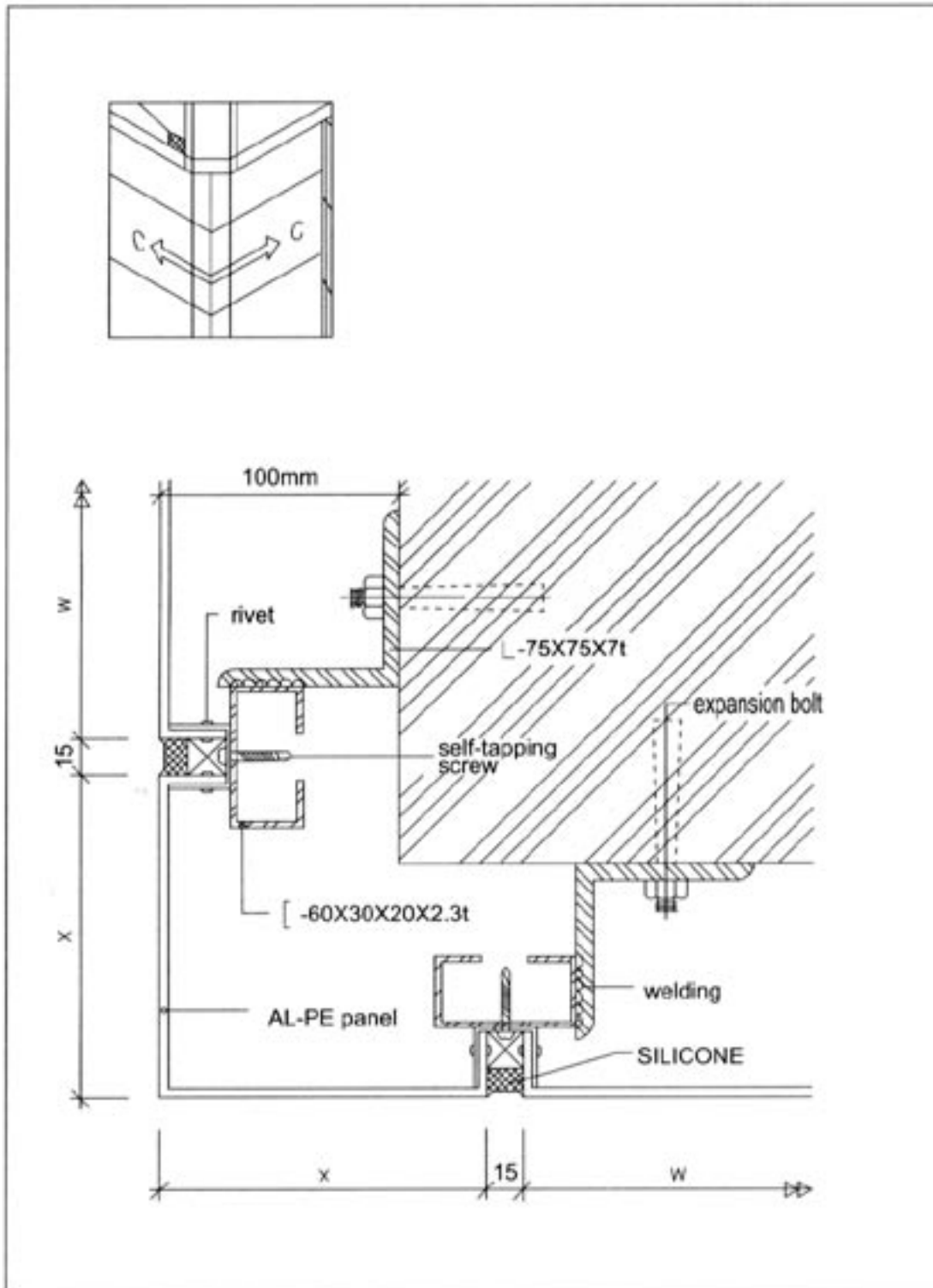
**A-A PLAN SECTION**

  
**LIKEAIR**  
architectural products

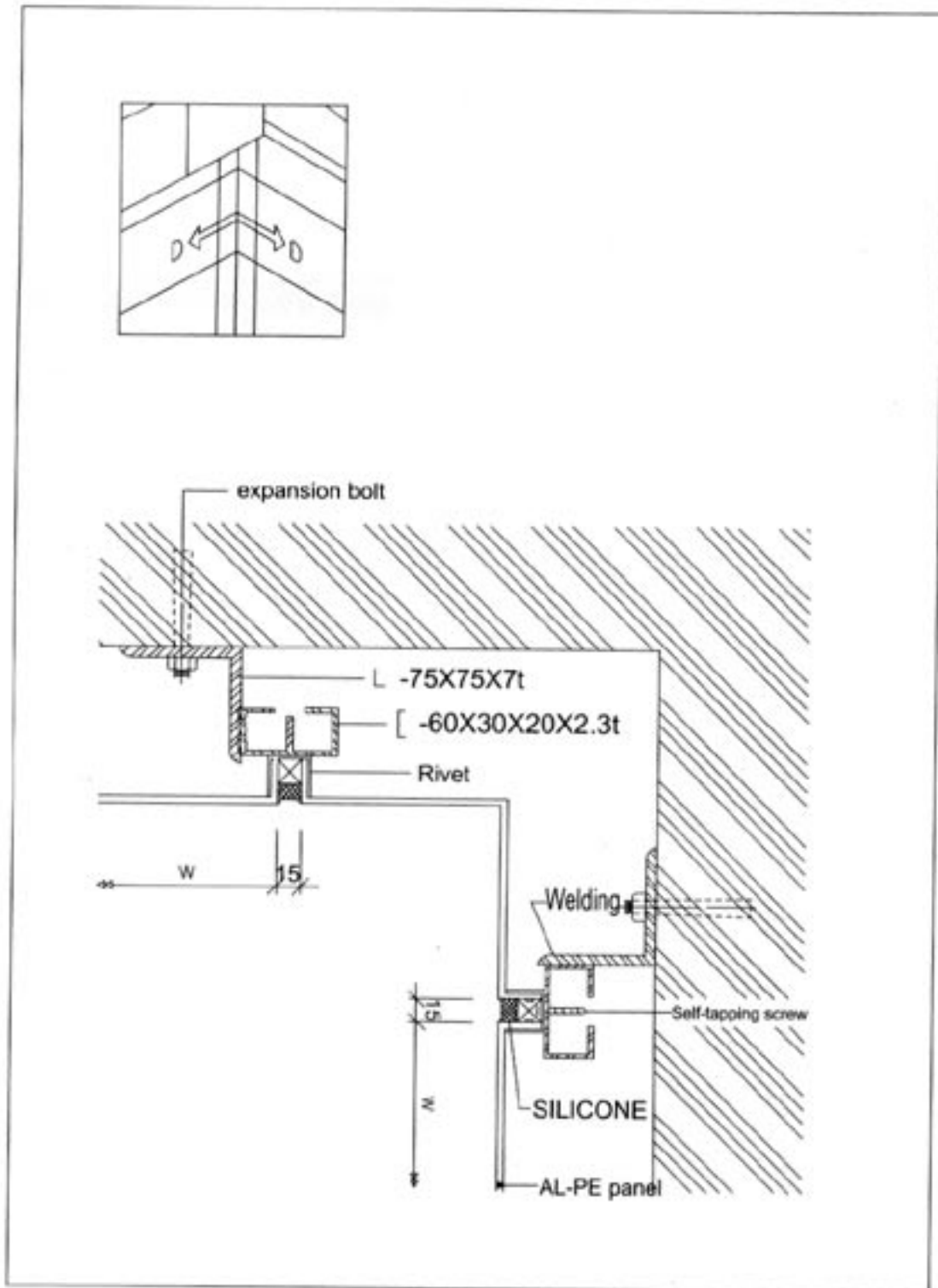
287 EDUARDES ST. RESERVOIR 3073, VICTORIA, AUSTRALIA  
TEL: +61 3 9460 9688 FAX: +61 3 9460 9622  
EMAIL: sales@likeair.com.au WEB: www.likeair.com.au



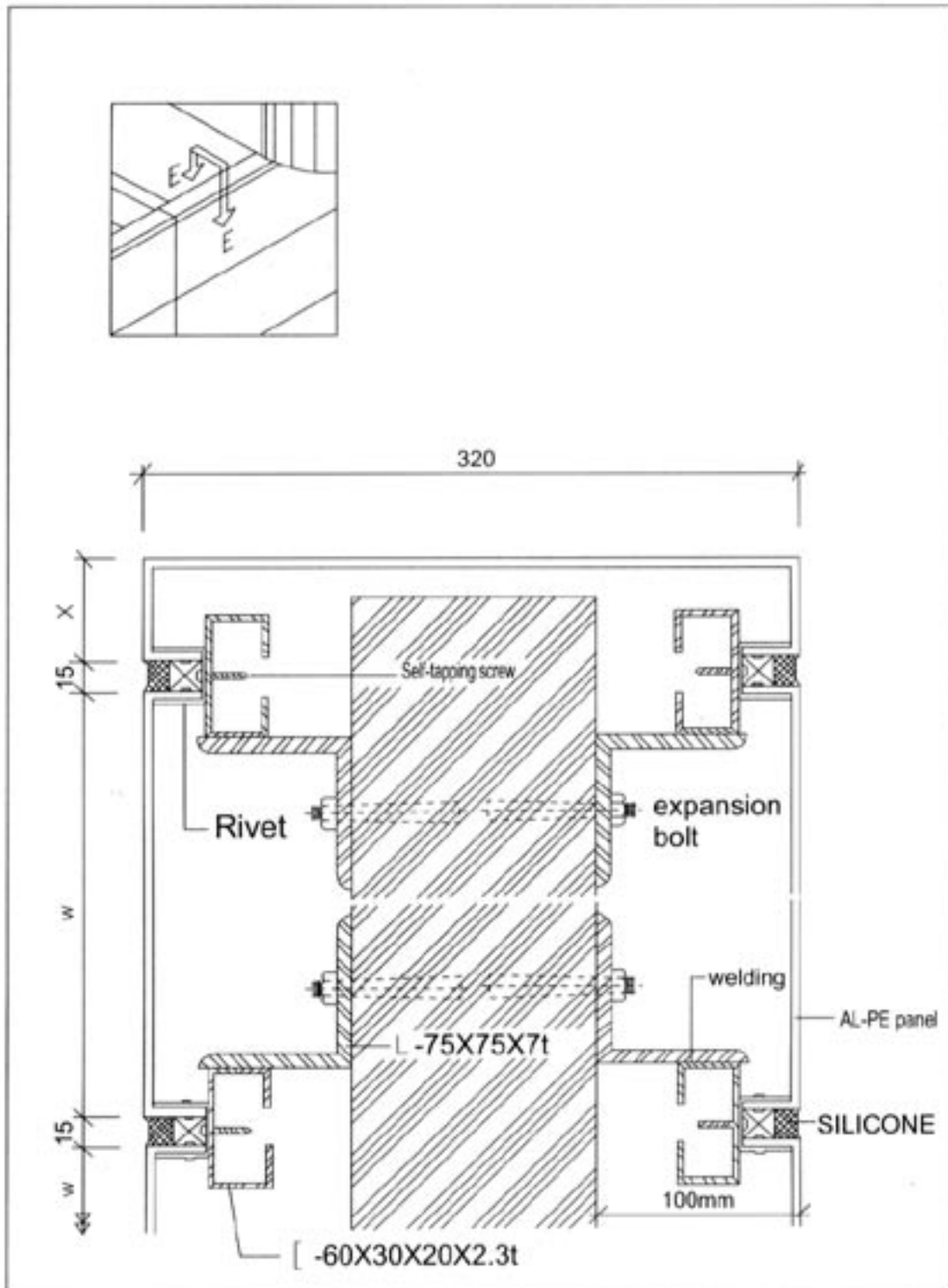
**B-B VERTICAL SECTION**



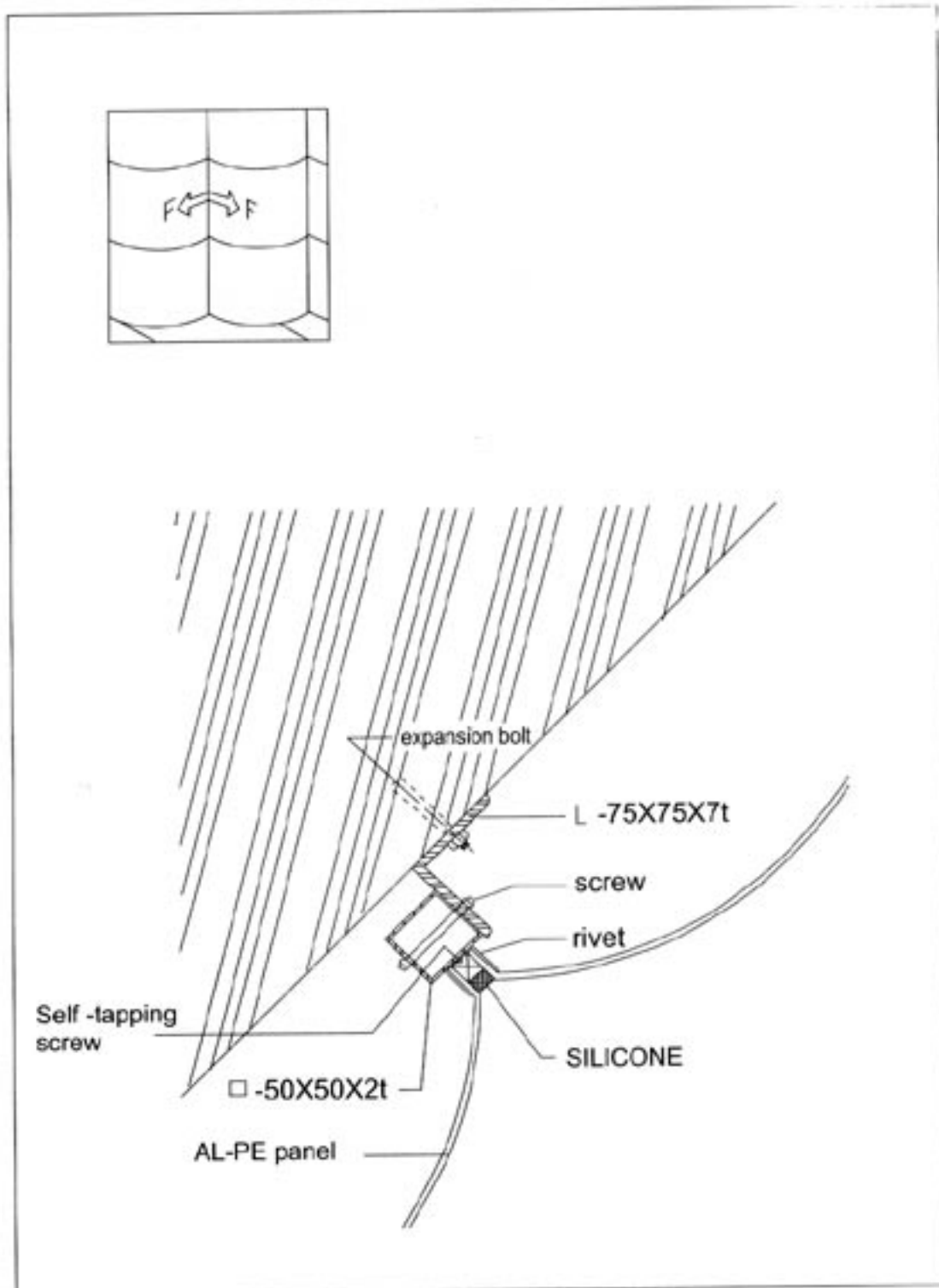
**C-C EXTERNAL ANGLE PLAN SECTION**



**D-D INTERNAL ANGLE PLAN SECTION**



**E-E PARAPET VERTICAL SECTION**



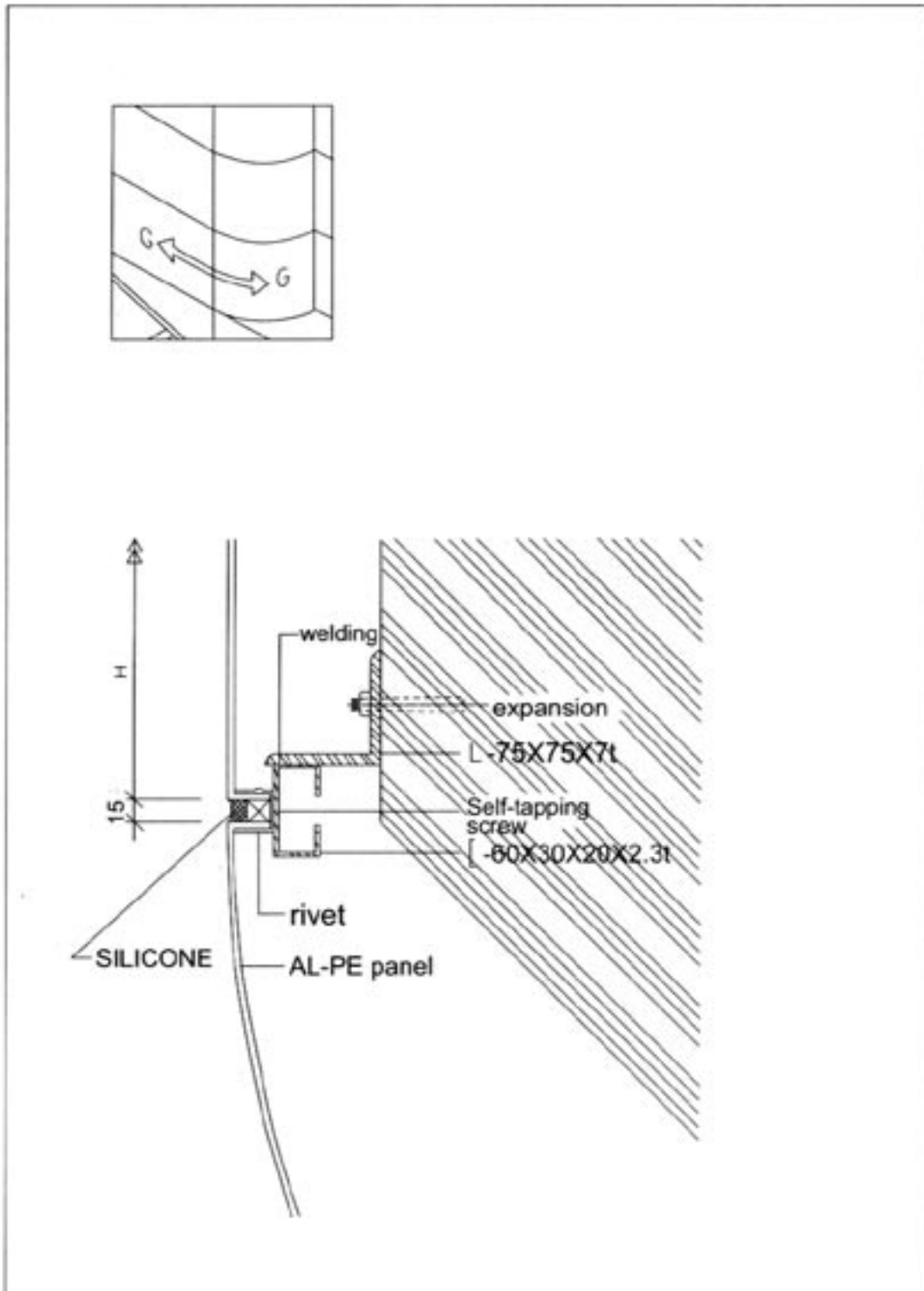
**F-F PLAN SECTION**

# EX

exterior panel

DETAIL SHEET NO.

# 1.07



**G-G PLAN SECTION**

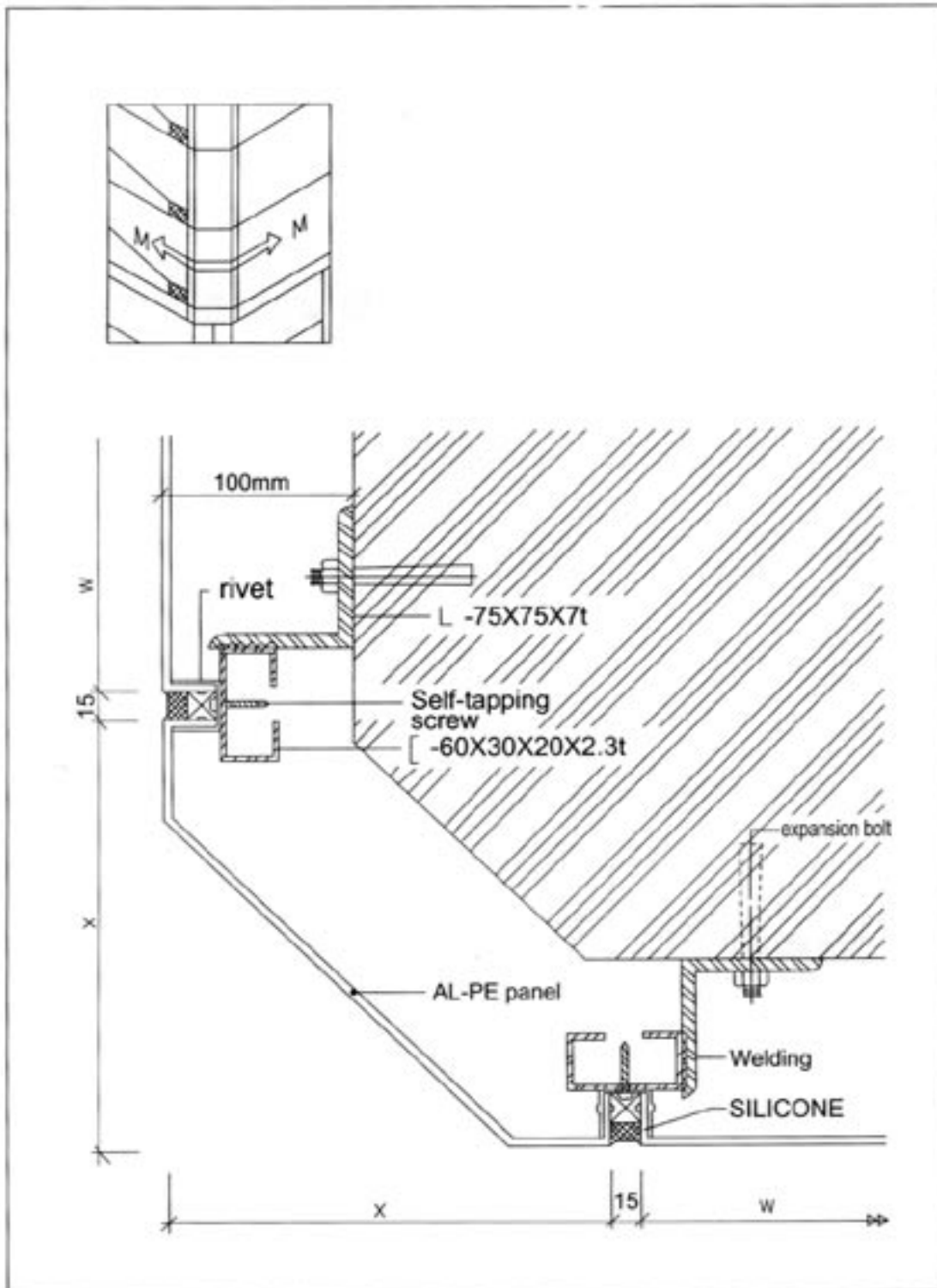
  
**LIKEAIR**  
architectural products

287 EDWARDES ST. RESERVOIR 3073, VICTORIA, AUSTRALIA

TEL: +61 3 9460 9688 FAX: +61 3 9460 9622

EMAIL: sales@likeair.com.au WEB: www.likeair.com.au



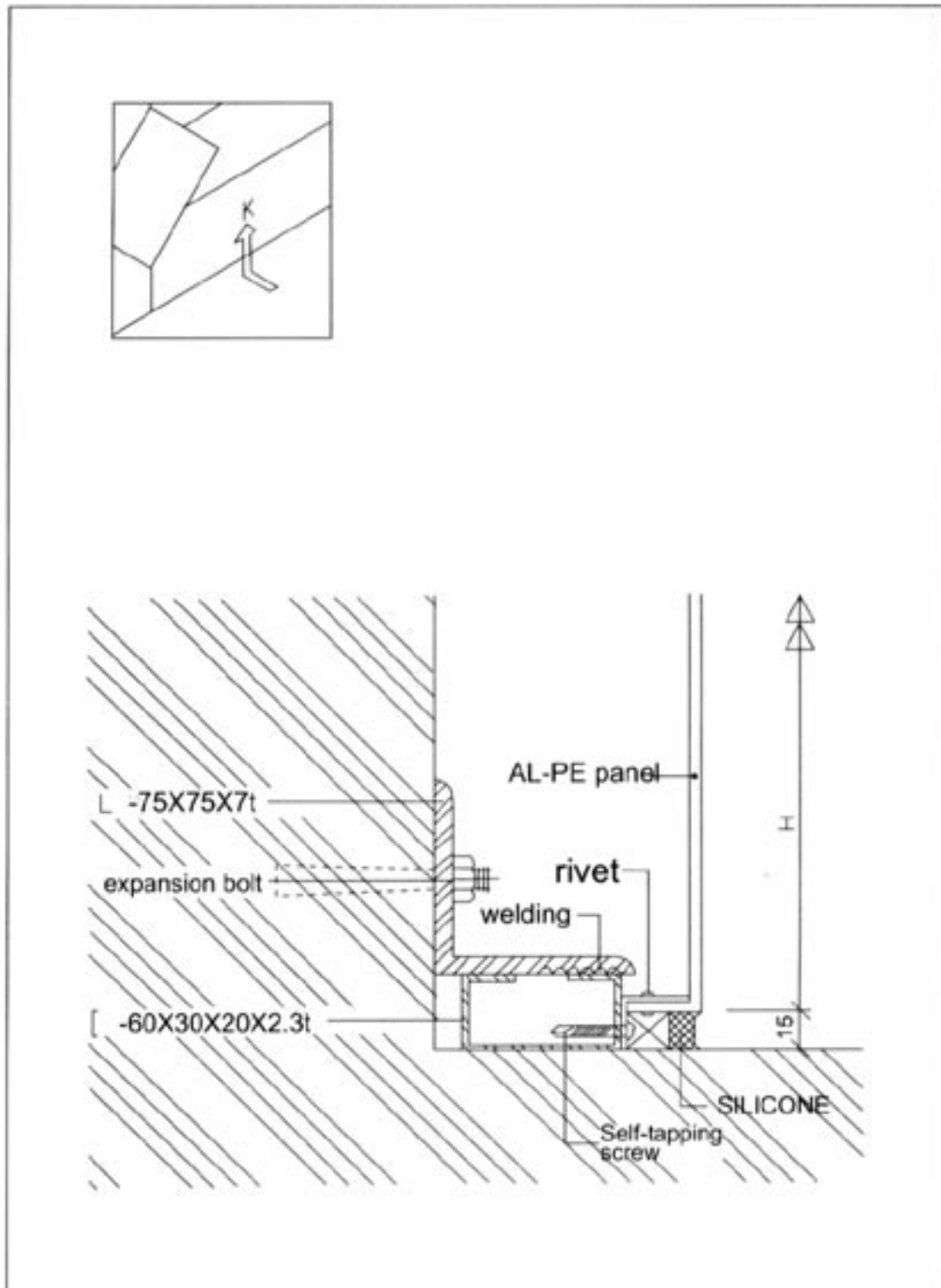


**M-M PLAN SECTION**

# EX

exterior panel

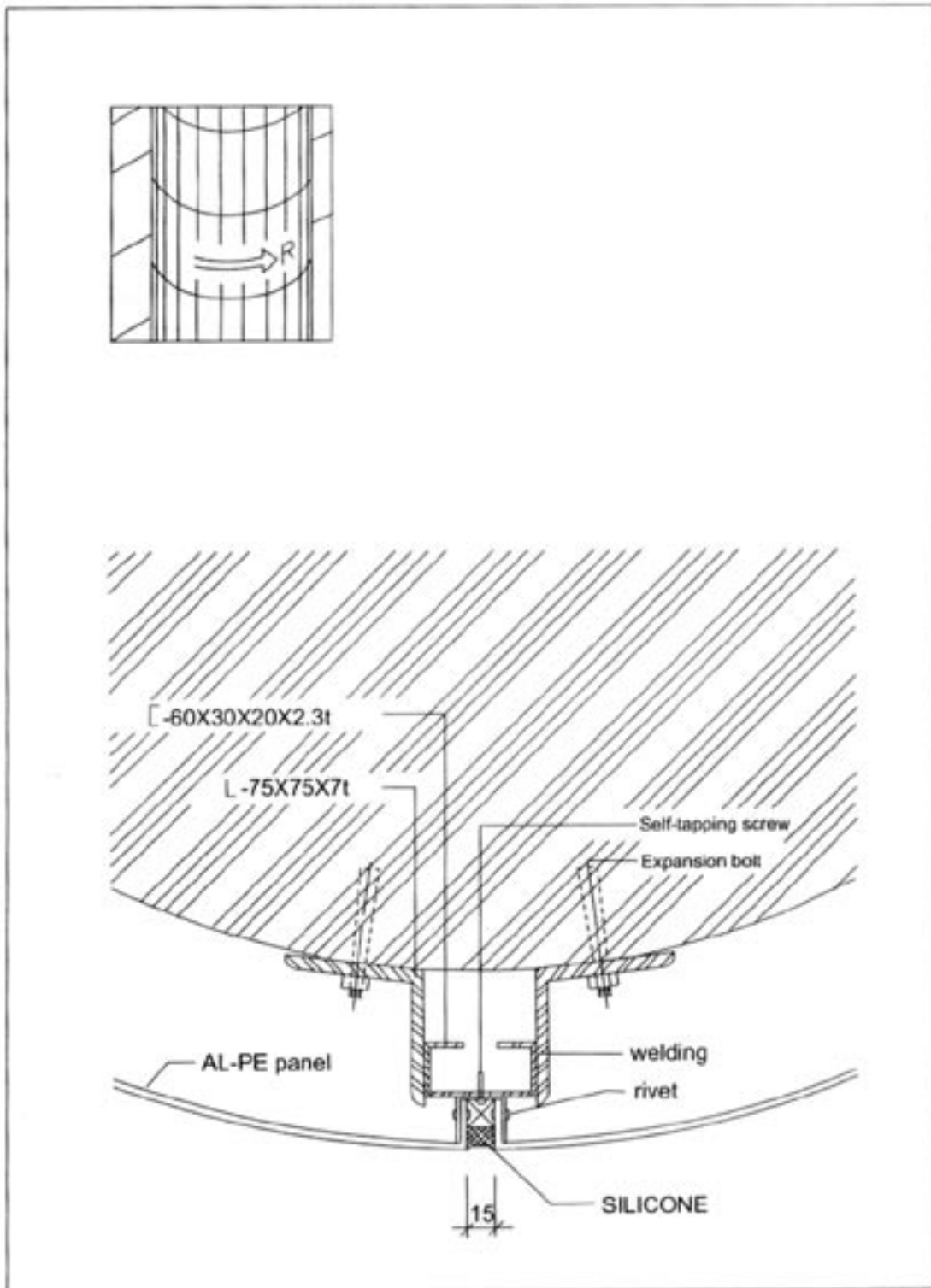
DETAIL SHEET NO. 1.09



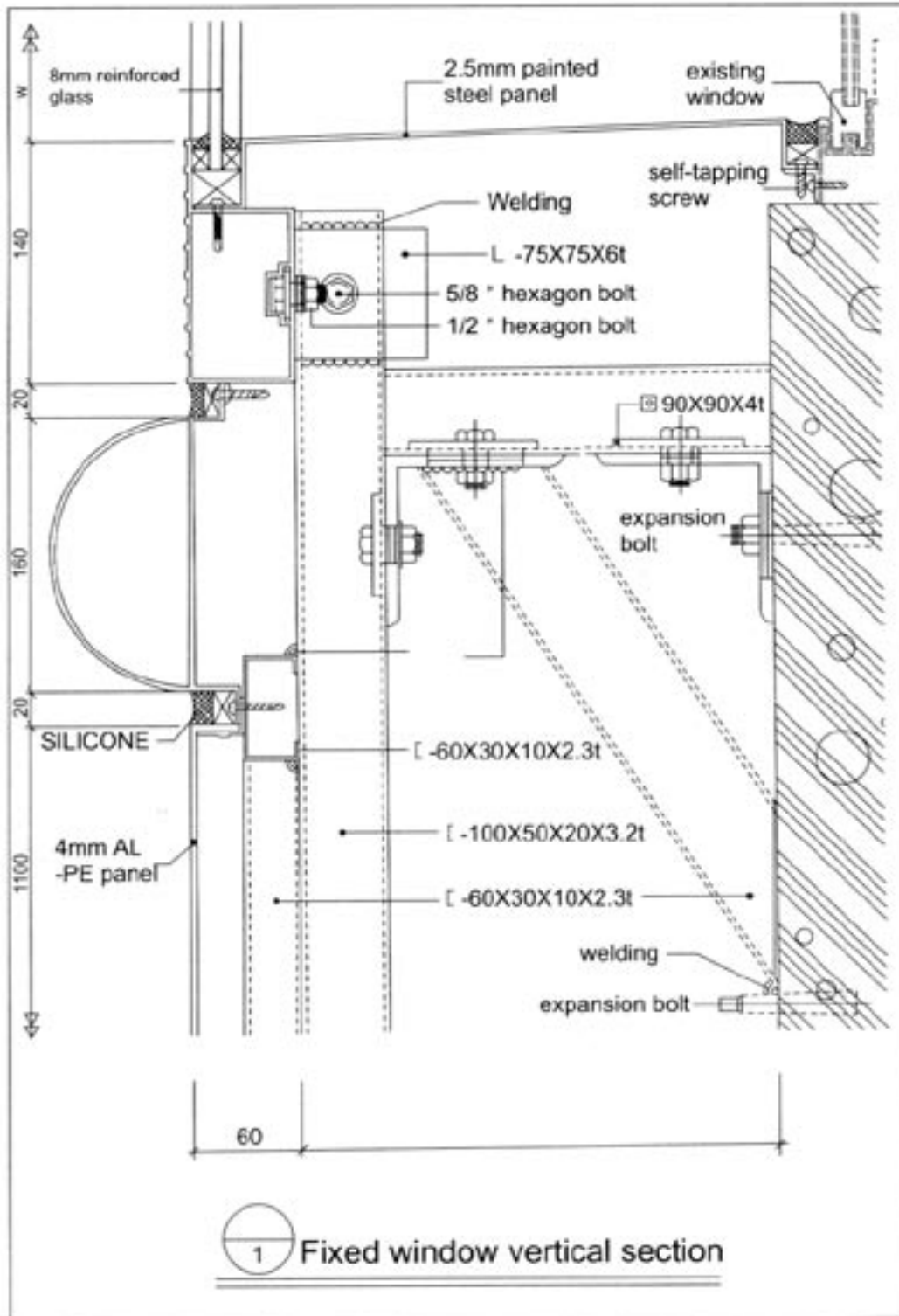
**K-K PLAN SECTION**

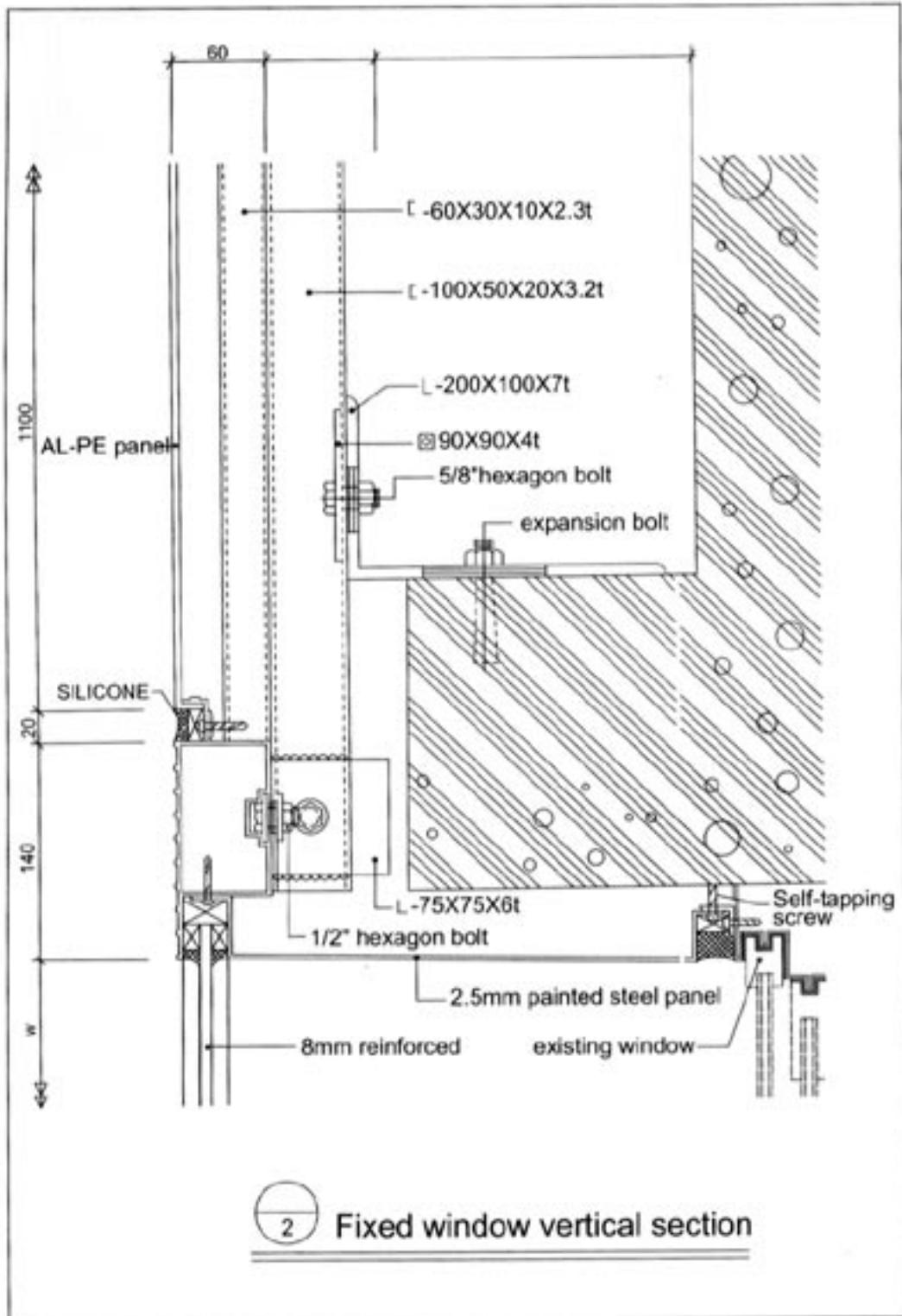
  
**LIKEAIR**  
architectural products

287 EDUARDES ST. RESERVOIR 3073, VICTORIA, AUSTRALIA  
TEL: +61 3 9460 9688 FAX: +61 3 9460 9622  
EMAIL: sales@likeair.com.au WEB: www.likeair.com.au



**R-R PLAN SECTION**

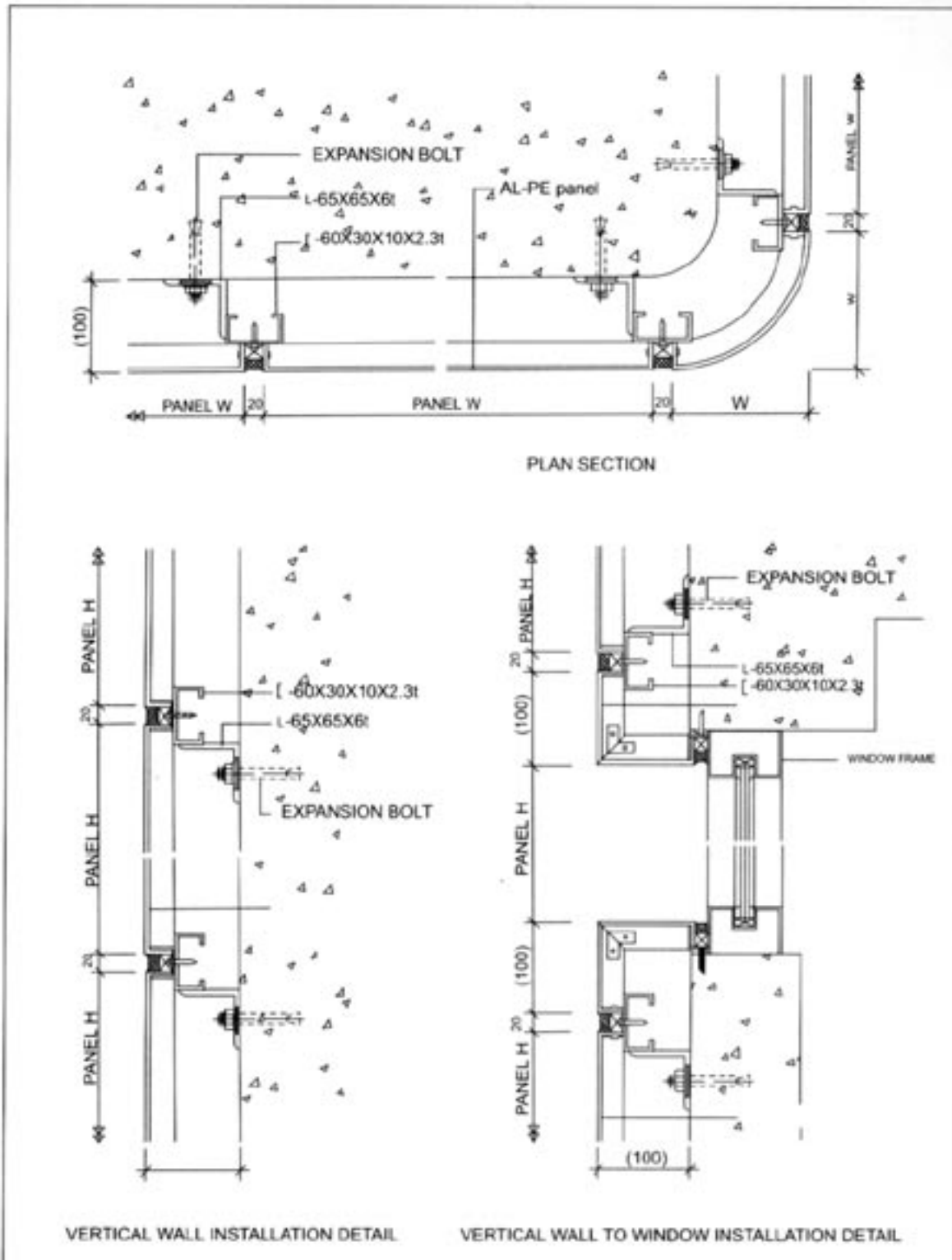




# EX

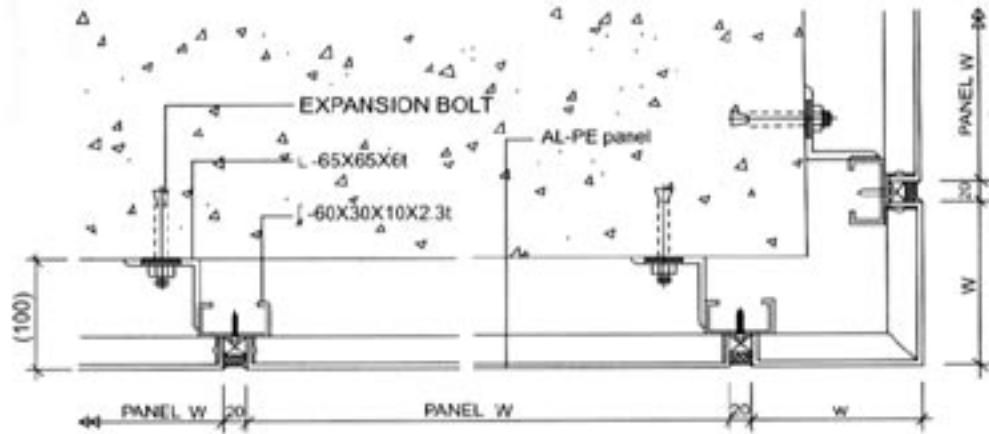
exterior panel

DETAIL SHEET NO. 1.13

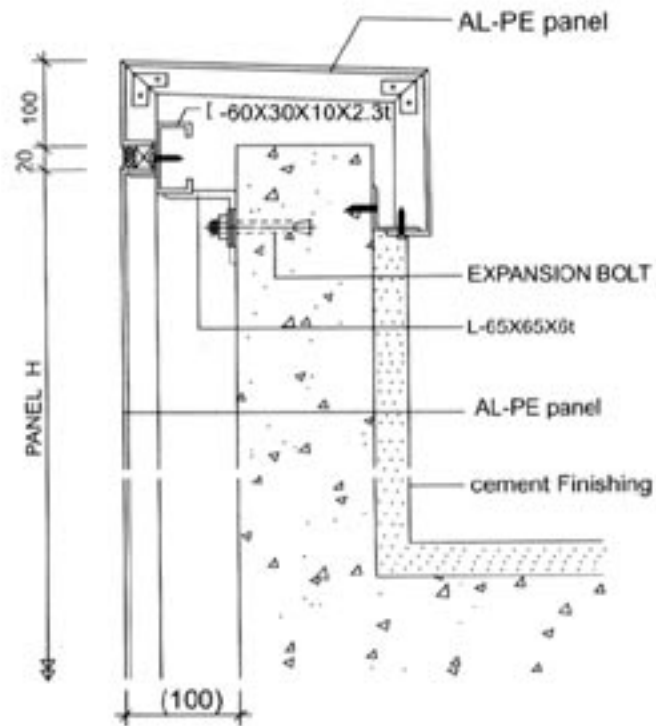


**LIKEAIR**  
architectural products

287 EDUARDES ST. RESERVOIR 3073, VICTORIA, AUSTRALIA  
TEL: +61 3 9460 9688 FAX: +61 3 9460 9622  
EMAIL: sales@likeair.com.au WEB: www.likeair.com.au



EXTERNAL 90° ANGLE PLAN SECTION



PARAPET WALL VERTICAL CAPPING SECTION